



# SQUAD DRILL COMPETITION 2017/2018

## Programme

**Squads should enter the Competition floor in column of threes and take up their position as indicated on the diagram of movements.**

**Unless stated otherwise, movements are in quick time.**

**Squad Commanders should command the Squad to “Stand at ease” at the end of each movement, and when commanded by Judges, command the Squad to “Atten-shun” and proceed with next movement.**

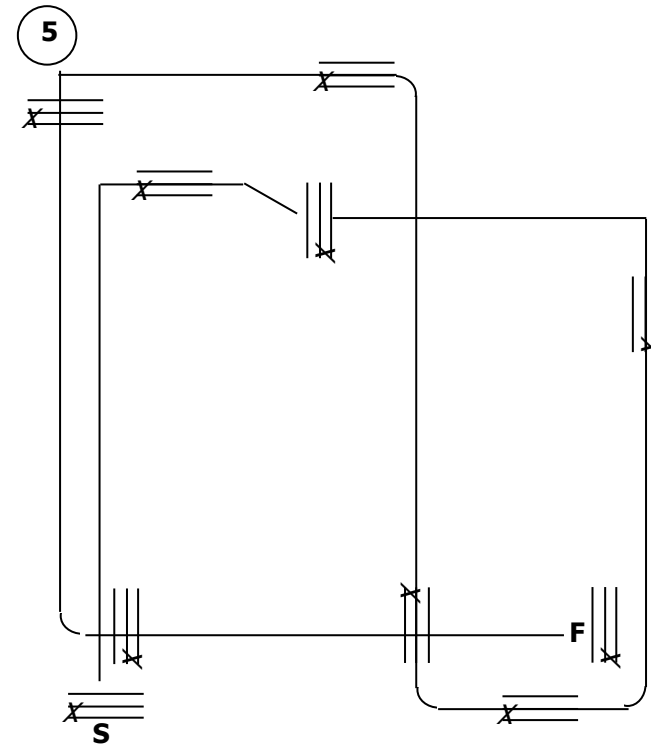
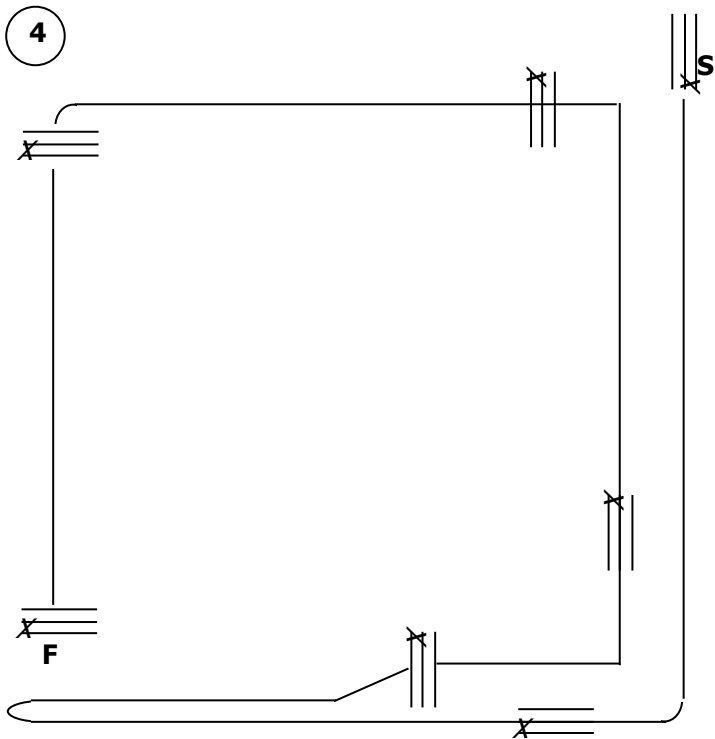
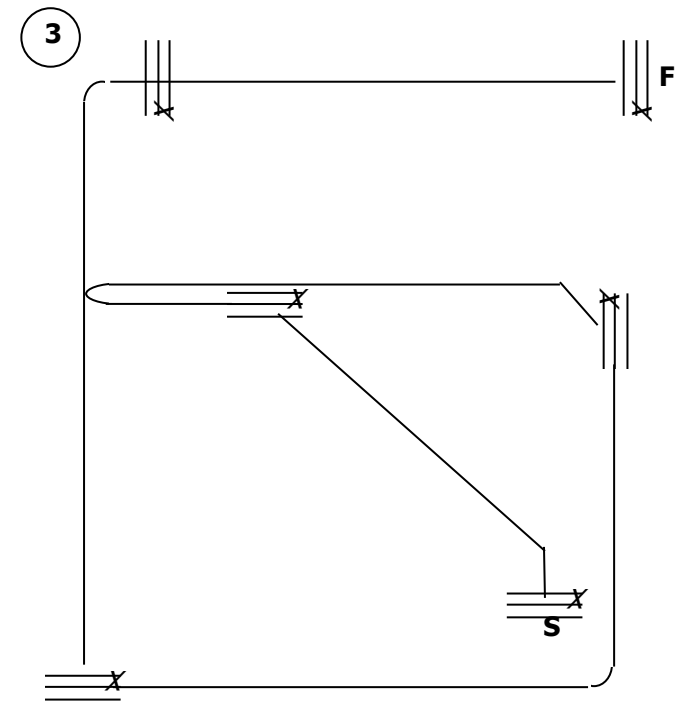
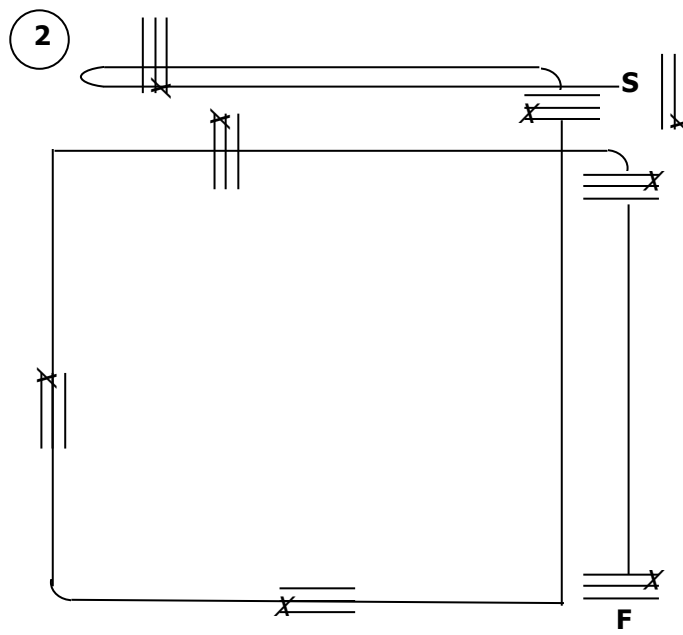
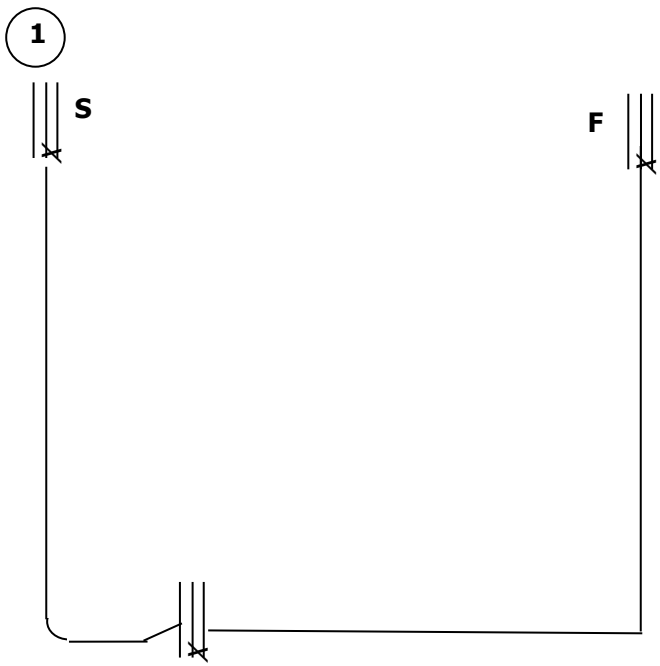
1. MOVE TO THE RIGHT, CHANGE DIRECTION LEFT, FORM SQUAD ON THE LEFT, MOVE TO THE LEFT, HALT. TURN TO THE LEFT.
2. ADVANCE, RETIRE, CHANGE DIRECTION RIGHT, MOVE TO THE RIGHT, CHANGE DIRECTION RIGHT, MOVE TO THE RIGHT, CHANGE DIRECTION RIGHT, HALT.
3. RETIRE, ADVANCE IN SLOW TIME, INCLINE TO THE LEFT, HALT. INCLINE TO THE RIGHT. MOVE TO THE LEFT IN SLOW TIME, RETIRE, FORM SQUAD AT THE HALT ON THE RIGHT. MOVE TO THE RIGHT IN SLOW TIME, CHANGE DIRECTION RIGHT, HALT. MOVE TO THE RIGHT IN QUICK TIME, CHANGE DIRECTION RIGHT, HALT.
4. MOVE TO THE RIGHT, CHANGE DIRECTION RIGHT, RETIRE, FORM SQUAD ON THE LEFT, MOVE TO THE LEFT, MOVE TO THE LEFT, CHANGE DIRECTION LEFT, HALT.
5. RETIRE, ADVANCE IN QUICK TIME, MOVE TO THE RIGHT, FORM SQUAD ON THE RIGHT, MOVE TO THE RIGHT, CHANGE DIRECTION RIGHT, CHANGE DIRECTION RIGHT, CHANGE DIRECTION LEFT, MOVE TO THE LEFT, CHANGE DIRECTION LEFT, HALT. TURN ABOUT.



# SQUAD DRILL COMPETITION 2017/2018

## WORDS OF COMMAND

1. MOVE TO THE RIGHT, RIGHT TURN, *BY THE LEFT*, QUICK MARCH, CHANGE DIRECTION LEFT LEFT WHEEL, *BY THE LEFT*, ON THE LEFT FORM SQUAD, FORWARD, *BY THE RIGHT*, MOVE TO THE LEFT LEFT TURN, *BY THE RIGHT*, SQUAD HALT. TURN TO THE LEFT LEFT TURN.
2. BY THE LEFT QUICK MARCH, SQUAD WILL RETIRE ABOUT TURN, *BY THE RIGHT*, CHANGE DIRECTION RIGHT, RIGHT FORM, FORWARD, *BY THE RIGHT*, MOVE TO THE RIGHT, RIGHT TURN, *BY THE LEFT*, *BY THE RIGHT*, CHANGE DIRECTION RIGHT RIGHT WHEEL, *BY THE LEFT*, MOVE TO THE RIGHT, RIGHT TURN, *BY THE LEFT*, *BY THE RIGHT*, CHANGE DIRECTION RIGHT, RIGHT FORM, FORWARD, *BY THE LEFT*, SQUAD HALT.
3. SQUAD WILL RETIRE ABOUT TURN, BY THE RIGHT, SLOW MARCH, INCLINE TO THE LEFT, LEFT INCLINE, SQUAD HALT. INCLINE TO THE RIGHT, RIGHT INCLINE. MOVE TO THE LEFT LEFT TURN, BY THE RIGHT, SLOW MARCH, SQUAD WILL RETIRE ABOUT TURN, BY THE LEFT, AT THE HALT, ON THE RIGHT, FORM SQUAD. MOVE TO THE RIGHT, RIGHT TURN, BY THE RIGHT SLOW MARCH, CHANGE DIRECTION RIGHT RIGHT WHEEL, *BY THE RIGHT*, SQUAD HALT. MOVE TO THE RIGHT, RIGHT TURN. BY THE RIGHT QUICK MARCH, CHANGE DIRECTION RIGHT RIGHT FORM, FORWARD, *BY THE RIGHT*, SQUAD HALT.
4. MOVE TO THE RIGHT, RIGHT TURN, BY THE LEFT QUICK MARCH, *BY THE RIGHT*, CHANGE DIRECTION RIGHT RIGHT WHEEL, *BY THE LEFT*, SQUAD WILL RETIRE ABOUT TURN, *BY THE RIGHT*, ON THE LEFT FORM SQUAD, FORWARD, *BY THE LEFT*, MOVE TO THE LEFT, LEFT TURN, *BY THE LEFT*, MOVE TO THE LEFT LEFT TURN, *BY THE RIGHT*, *BY THE LEFT*, CHANGE DIRECTION LEFT LEFT FORM, FORWARD, *BY THE RIGHT*, SQUAD HALT.
5. SQUAD WILL RETIRE ABOUT TURN, BY THE LEFT QUICK MARCH, MOVE TO THE RIGHT RIGHT TURN, *BY THE RIGHT*, ON THE RIGHT FORM SQUAD, FORWARD, *BY THE RIGHT*, MOVE TO THE RIGHT RIGHT TURN, *BY THE LEFT*, *BY THE RIGHT*, CHANGE DIRECTION RIGHT RIGHT WHEEL, *BY THE LEFT*, *BY THE RIGHT*, CHANGE DIRECTION RIGHT RIGHT WHEEL, *BY THE LEFT*, CHANGE DIRECTION LEFT LEFT WHEEL, MOVE TO THE LEFT LEFT TURN, *BY THE RIGHT*, *BY THE LEFT*, CHANGE DIRECTION LEFT LEFT FORM, FORWARD, *BY THE RIGHT*, SQUAD HALT. TURN ABOUT ABOUT TURN.



N I D Squad Drill Competition  
2017 / 2018